

MIMIC

Semaphore indicator Ø22.5mm Round

Brand :- **MIMIC**
Model : **MIMIC-SP-22-RB**

Salient Features

1. Voltage: **24V, 48V, 110V, 125, 220, 250 VDC**
2. Mounting : **Panel mounting**
3. Body : **PBT Fire retardant**
4. 100 % **Made in India product.**
5. Model name :- **MIMIC-SP-22-RB**
6. Indoor duty :- **IP 52**
7. LED Based having long life, **50000 hours**
8. Cutout size:- **Ø22.5mm**

Technical Specification

- ◆ Insulation voltage:- AC, DC 1000V
- ◆ Operational Voltage:-24V,48V,110V,125,220,250VDC
- ◆ Voltage Fluctuation Range :- $\pm 15\%$
- ◆ Rated Operational Current :- 11mA max
- ◆ Insulation Resistance :- 1000mΩ over
- ◆ Impulse Withstand Voltage :- +4500V, 3Times For Each Pole(1.2/50μs)
- ◆ Shock Resistance :- 490m/s²
- ◆ Durability :- Over 10000 cycles
- ◆ Degree Of Protection :- IP52
- ◆ Operating Temperature :- -20 to 60° c
- ◆ Storage Temperature :- -30 to 75° c
- ◆ Relative Humidity :- 45 to 85 %
- ◆ Altitude :- Max 2000m
- ◆ Compatible Copper Conductor :- AWG 20 to14
- ◆ Mounting Plate Thickness :- 1 to 6 mm
- ◆ Confirming to Standard :- IEC 60947-5-1
IEC 60947-1

Ordering Code :-

Sr. No.	Code :-	Details :-
S1	MIMIC-SP-22-24-DC-RB	MIMIC LED Semaphore Indicator 22.5 Cutout Voltage 24 VDC - Round
S2	MIMIC-SP-22-48-DC-RB	MIMIC LED Semaphore Indicator 22.5 Cutout Voltage 48 VDC - Round
S3	MIMIC-SP-22-110-DC-RB	MIMIC LED Semaphore Indicator 22.5 Cutout Voltage 110 VDC - Round
S4	MIMIC-SP-22-125-DC-RB	MIMIC LED Semaphore Indicator 22.5 Cutout Voltage 125 VDC - Round
S5	MIMIC-SP-22-220-DC-RB	MIMIC LED Semaphore Indicator 22.5 Cutout Voltage 220 VDC - Round
S6	MIMIC-SP-22-250-DC-RB	MIMIC LED Semaphore Indicator 22.5 Cutout Voltage 250 VDC - Round



Certificate of conformity is awarded to

Steam Airetric controls

In recognition of the organization's compliance to relevant clauses of Low Voltage Directive 2014/35/EU and in conformity with the harmonized standards

EN 60947-5-1:2017

for the product

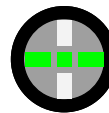
Indicator Light

(Semaphore Round 22mm Diameter, Semaphore Square 22mm Diameter, Semaphore Indicator 30.5mm Diameter, Semaphore Indicator 32mm Diameter, Semaphore Indicator 42mm Diameter, Semaphore Indicator 72mm Diameter)

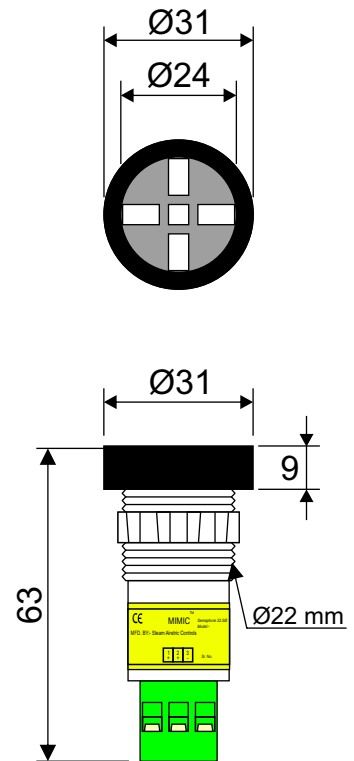
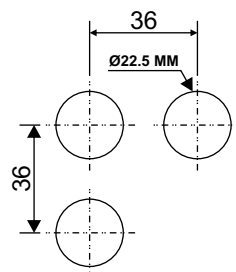
Certificate number
CE/IN/006Report No./TCF
Reference
SAC/CE/TCFDate of issue
31 st May, 2018

Applications:-

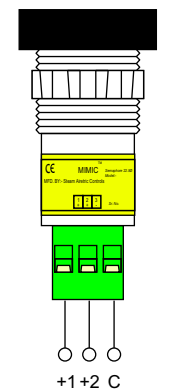
- Used in situations that require visual simulation of the circuit or operating state of a device & indication of the fault position in addition to the 'ON' & 'OFF' positions.
- Suitable for monitoring power breakers & disconnectors in complex transformers substations which are represented in form of mimic diagrams of relatively small dimensions.
- Suitable for automatic status indication of isolators, earth switches, circuit breakers & PT ON/OFF etc. on 'MIMIC' diagrams.

**Circuit Breaker
close****Circuit Breaker
open**

Panel cutout Dimensions



Connection diagram



+1 : Red Vertical
+2 : Green Horizontal
C : Common

Steam Airetric Controls

Plot No A/34, Additional Ambernath MIDC, Anand Nagar,
Ambernath(East), Dist. Thane,
Maharashtra, India, 421506

Email:-
mimic.sales@gmail.com,
sales@mimicproducts.in,

Website:-
www.mimicproducts.com
www.mimicproducts.in

9821252022
9321153191