

MIMIC**Semaphore indicator Ø30.5mm Round****Brand :- MIMIC
Model : MIMIC-SP-30.5****Salient Features**

1. Voltage: **24V, 110V, 125, 220, 250 VDC**
2. Mounting : **Panel mounting**
3. Body : **PBT Fire retardant**
4. 100 % **Made in India product.**
5. Model name :- **MIMIC-SP-30.5**
6. Indoor duty :- **IP 52**
7. LED Based having long life, **50000 hours**
8. Cutout size:- **Ø30.5mm**

Technical Specification

- ◆ Insulation voltage:- AC, DC 1000V
- ◆ Operational Voltage:- 24V, 110V, 125, 220, 250VDC
- ◆ Voltage Fluctuation Range :- $\pm 15\%$
- ◆ Rated Operational Current :- 11mA max
- ◆ Insulation Resistance :- 1000mΩ over
- ◆ Impulse Withstand Voltage :- +4500V, 3Times For Each Pole(1.2/50μs)
- ◆ Shock Resistance :- 490m/s²
- ◆ Durability :- Over 10000 cycles
- ◆ Degree Of Protection :- IP52
- ◆ Operating Temperature :- -20 to 60° c
- ◆ Storage Temperature :- -30 to 75° c
- ◆ Relative Humidity :- 45 to 85 %
- ◆ Altitude :- Max 2000m
- ◆ Compatible Copper Conductor :- AWG 20 to 14
- ◆ Mounting Plate Thickness :- 1 to 6 mm
- ◆ Confirming to Standard :- IEC 60947-5-1
IEC 60947-1

Ordering Code :-

Sr. No.	Code :-	Details :-
S21	MIMIC-SP-30-24-DC-RO	MIMIC LED Semaphore Indicator 30.5 Cutout Voltage 24 VDC - Round
S22	MIMIC-SP-30-110-DC-RO	MIMIC LED Semaphore Indicator 30.5 Cutout Voltage 110 VDC - Round
S23	MIMIC-SP-30-125-DC-RO	MIMIC LED Semaphore Indicator 30.5 Cutout Voltage 125 VDC - Round
S24	MIMIC-SP-30-220-DC-RO	MIMIC LED Semaphore Indicator 30.5 Cutout Voltage 220 VDC - Round
S25	MIMIC-SP-30-250-DC-RO	MIMIC LED Semaphore Indicator 30.5 Cutout Voltage 250 VDC - Round



Certificate of conformity is awarded to
Steam Airetric controls
In recognition of the organization's compliance to relevant clauses of Low Voltage Directive 2014/35/EU and in conformity with the harmonized standards

EN 60947-5-1:2017

for the product

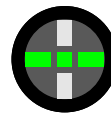
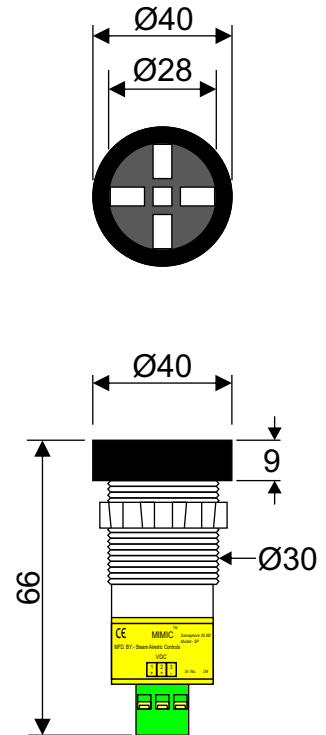
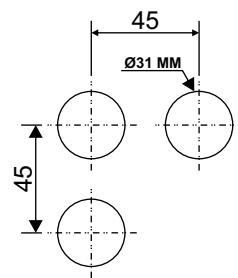
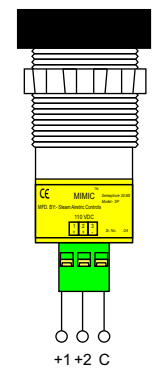
Indicator Light

(Semaphore Round 22mm Diameter, Semaphore Square 22mm Diameter, Semaphore Indicator 30.5mm Diameter, Semaphore Indicator 32mm Diameter, Semaphore Indicator 42mm Diameter, Semaphore Indicator 72mm Diameter)

Certificate number CE/IN/006	Report No./TCF Reference SAC/CE/TCF	Date of issue 31 st May, 2018
--	---	---

Applications:-

- Used in situations that require visual simulation of the circuit or operating state of a device & indication of the fault position in addition to the 'ON' & 'OFF' positions.
- Suitable for monitoring power breakers & disconnectors in complex transformers substations which are represented in form of mimic diagrams of relatively small dimensions.
- Suitable for automatic status indication of isolators, earth switches, circuit breakers & PT ON/OFF etc. on 'MIMIC' diagrams.

**Circuit Breaker close****Circuit Breaker open****Panel cutout Dimensions****Connection diagram**

+1 : Red Vertical
+2 : Green Horizontal
C : Common

Steam Airetric Controls

Plot No A/34, Additional Ambernath MIDC, Anand Nagar,
Ambernath(East), Dist. Thane,
Maharashtra, India, 421506

Email:-
mimic.sales@gmail.com,
sales@mimicproducts.in,

Website:-
www.mimicproducts.com
www.mimicproducts.in

9821252022
9321153191