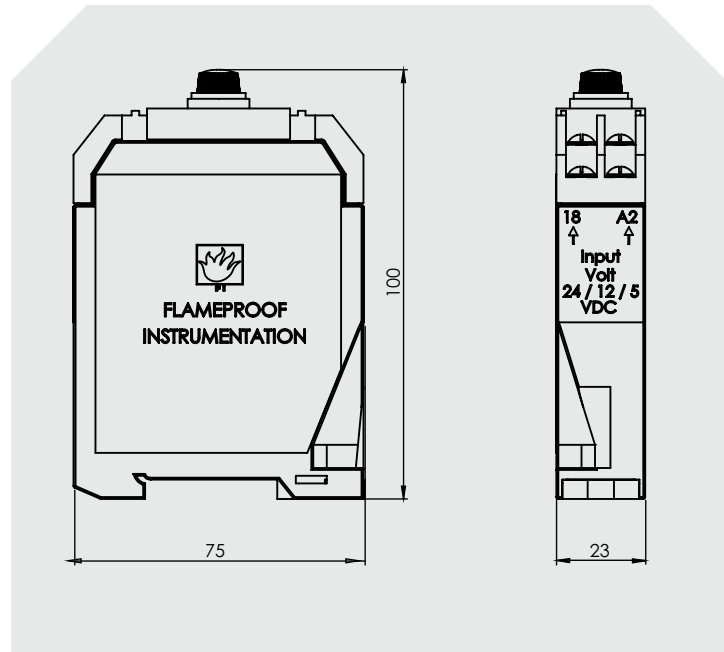


# Intrinsically safe Zener Barrier / Power supply 12 VDC



Intrinsically Safe



	SALIENT FEATURES
Aux. Supply	12 VDC
Wattage	1.4 Watt max.
Output supply	Intrinsically safe 12 VDC @ 117mA
Moc	ABS , engineering plastic
Weight	100 gm aprox.
Terminals	Up to 2.5 sqmm.
Mounting	Din rail type
Gas group	IIA, IIB, IIC Zone 1 & Zone 2
Application	Intrinsically safe field devices [eg. Intrinsically safe Smoke detector / Heat detector ]



Flameproof Instrumentation

Made in



Flameproof Instrumentation

Plot. No. E/14, Addl. MIDC, Anand Nagar, Ambarnath (E), Dist. Thane, Maharashtra, India — 421 506.,

sales@flameproof.co.in

9321160178

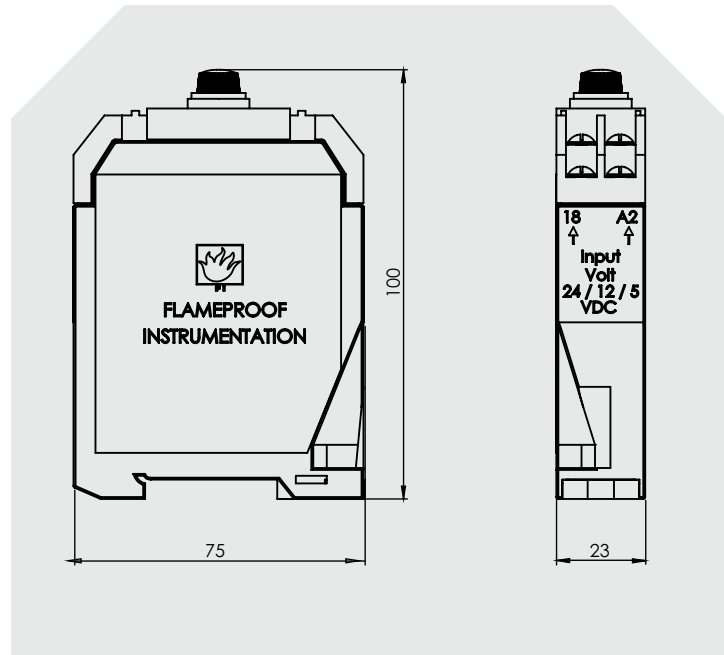


www.flameproof.co.in

# Intrinsically safe Zener Barrier / Power supply 24 VDC



Intrinsically Safe



	SALIENT FEATURES
Aux. Supply	24 VDC
Wattage	2 Watt max.
Output supply	Intrinsically safe 24 VDC @ 45mA
Moc	ABS , engineering plastic
Weight	100 gm aprox.
Terminals	Up to 2.5 sqmm.
Mounting	Din rail type
Gas group	IIA, IIB, IIC Zone 1 & Zone 2
Application	Intrinsically safe field devices [eg. Intrinsically safe Smoke detector / Heat detector ]



Flameproof Instrumentation

Made in



Flameproof Instrumentation

Plot. No. E/14, Addl. MIDC, Anand Nagar, Ambarnath (E), Dist. Thane, Maharashtra, India — 421 506.,

sales@flameproof.co.in

9321160178



www.flameproof.co.in