

This is a portable & light weight product useful in industrial, maintenance & various emergency lighting applications.

The sleek light weight aluminum body with strong ABS mounting is designed to sustain heavy vibrations. Suitable for indoor & outdoor applications.

- Input voltage : 230 VAC
- LED Expected life : 50,000 Hrs.
- Input Wattage : 3W / 6W
- Battery Backup : 2 hours
- Charging time : 6.5 hours
- Weight : 150 gms



TECHNICAL

Auxiliary Supply	230VAC
Input Wattage	3 Watt / 6 Watt
Battery Backup	2 Hrs
Charging time	6.5 Hrs
Protection Rating	IP 54
Lumens	300 / 600
Connection	Through plug socket & 2 core cable
Mounting type	Wall mounting
Weight	150 gms

PERFORMANCE

Battery Type	Lithium Ion, 2000 mAh
Battery Protection	With BMS of under/ Over cut-off
Battery operating voltage	11.4 V to 12.6V
Rated Operational Current	280 mA
Insulation Resistance (M ohm)	1000
Shock resistance	490 m / sq. sec
Compatible Copper Conductor	AWG 20 - 14
Impulse Withstand Voltage	+4500V 3 Times for each pole

BODY


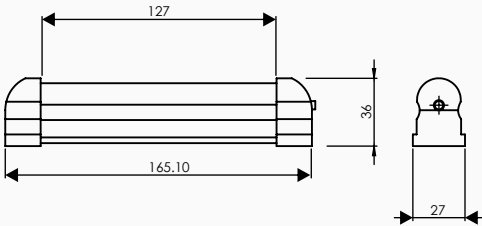

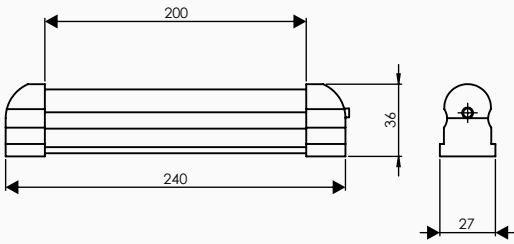
Main Body	Aluminum extruded with fins
Sides	ABS

Manufactured by : Steam Airetric Controls

Made in 

Steam Airetric Controls

Plot. No. A/34, Additional Ambarnath MIDC, Anand Nagar, Ambarnath (E), Dist. Thane Maharashtra, India – 421 506.

Image	Model	Dimensional Detail
	<p>LED Emergency light - 6" model Wattage - 3 Watt Lumen - 300</p>	
	<p>LED Emergency light - 9" model Wattage - 6 Watt Lumen - 600</p>	

- All Dimensions are in mm
- Dimension for reference purpose.
- Dimension may change without notice, development is continuous process

Manufactured by : Steam Airetric Controls

Made in 

Steam Airetric Controls

Plot. No. A/34, Additional Ambernath MIDC, Anand Nagar, Ambernath (E), Dist. Thane
 Maharashtra, India – 421 506.