

This is a portable & light weight product useful in industrial, maintenance & various emergency lighting applications.

The sleek light weight aluminum body with strong ABS mounting is designed to sustain heavy vibrations. Suitable for indoor & outdoor applications.

- Input voltage : 230 VAC
- LED Expected life : 50,000 Hrs.
- Input Wattage : 6W / 12W
- Battery Backup : 2 hours
- Charging time : 6.5 hours
- Weight : 250 gms



## TECHNICAL

Auxiliary Supply	230VAC
Input Wattage	6 Watt / 12 Watt
Battery Backup	2 Hrs
Charging time	8 Hrs, charger inbuilt in box
Protection Rating	IP 54
Lumens	600 / 1200
Connection	Through plug socket & 2 core cable
Mounting type	Wall mounting
Weight	250 gms

## PERFORMANCE

Battery Type	Lithium Ion, 2000 mAh
Battery Protection	With BMS of under/ Over cut-off
Battery operating voltage	11.4 V to 12.6V
Rated Operational Current	280 mA
Insulation Resistance (M ohm)	1000
Shock resistance	490 m / sq. sec
Compatible Copper Conductor	AWG 20 - 14
Impulse Withstand Voltage	+4500V 3 Times for each pole

## BODY


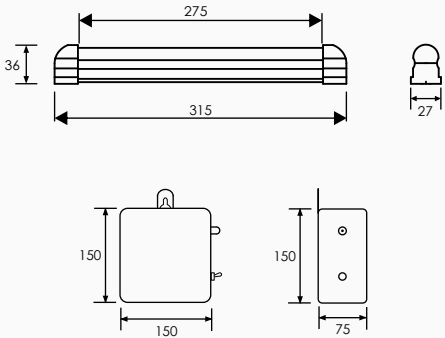

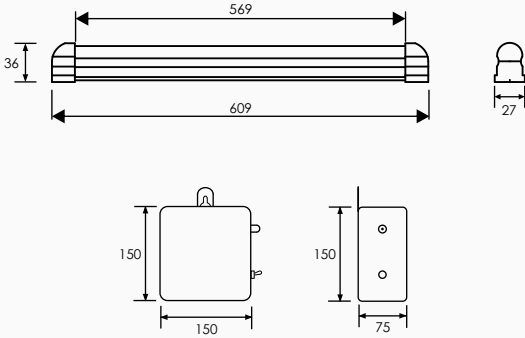
Main Body	Aluminum extruded with fins
Sides	ABS

Manufactured by : Steam Airetric Controls

Made in 

## Steam Airetric Controls

Plot. No. A/34, Additional Ambarnath MIDC, Anand Nagar, Ambarnath (E), Dist. Thane Maharashtra, India – 421 506.

Image	Model	Dimensional Detail
	<p><b>LED Emergency light - 1' model</b>  <b>Wattage - 6 Watt</b>  <b>Lumen - 600</b></p>	
	<p><b>LED Emergency light - 2' model</b>  <b>Wattage - 12 Watt</b>  <b>Lumen - 1200</b></p>	

- All Dimensions are in mm
- Dimension for reference purpose.
- Dimension may change without notice, development is continuous process

Manufactured by : Steam Airetric Controls

Made in 

## Steam Airetric Controls

Plot No. A/34, Additional Ambernath MIDC, Anand Nagar, Ambernath (E), Dist. Thane  
 Maharashtra, India – 421 506.