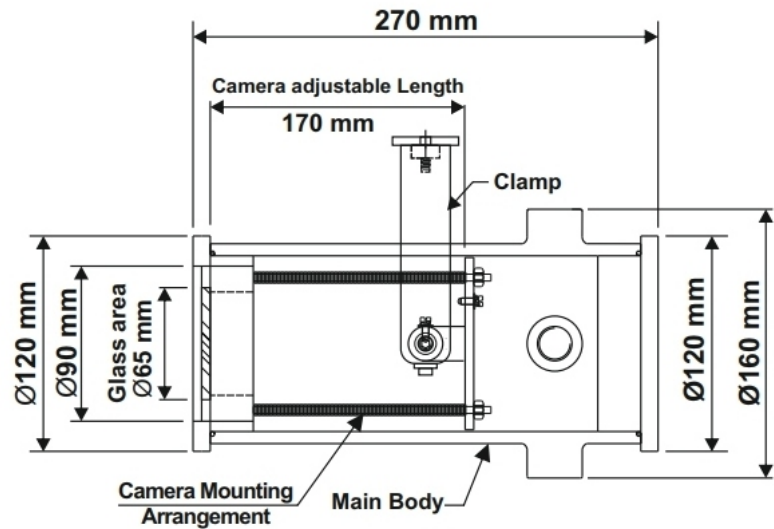
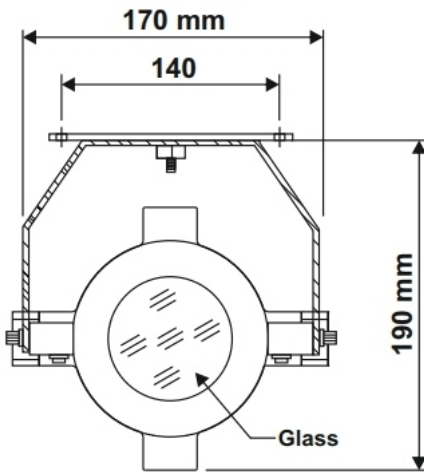


Flameproof Camera Enclosure



	SALIENT FEATURES
Operating Temp.	Up to 55°C
Humidity	90 % at 40°C
Enclosure	LM6, Aluminum
Coating	Powder coated
Dimension	As per drawing
Weight	4.3 Kg MAX.
Cable entry	3/4" ET OR M20 OR 3/4 NPT
Mounting	Wall mounting / slab mounting type
Gas group	IIA & IIB , Zone 1 & Zone 2
Application	Hazardous area
Weather protection	IP 65

Flameproof Instrumentation

Plot. No. E/14, Addl. MIDC, Anand Nagar, Ambarnath (E), Dist. Thane, Maharashtra, India — 421 506.,

sales@flameproof.co.in

9321160178

www.flameproof.co.in