

MIMIC LED Work Light is useful in maintenance, inspection & confined area lighting, especially where there is no access of power source.

Its rugged design along with waterproof protection, makes it an ideal product for harsh environments.

Applications : Repair jobs, maintenance, Railway track inspection & confined area lighting.

- Wattage : 100 Watt
- Lumen : 10000
- Battery backup : 8/4/2 Hrs @ low / normal / turbo modes
- Charging time : 7.5 Hrs
- IP - 65 weather protection.



TECHNICAL

Wattage	100 Watt
Lumens	10000
Battery backup	Low mode : 8 Hrs
	Normal mode : 4 Hrs
	Turbo mode : 2 Hrs
Battery	Li-ion
Charging time	7.5 Hrs
Protection Rating	IP 65
Weight	9.5 kg

PERFORMANCE

Battery voltage	12.8 V
Battery capacity	6AH
Life Cycle > 80% after 1000cycles, overall 2000cycles	
Overcharge Protection, Over-discharge Protection,	
Over current Protection , Battery balancing function	
Charger current	0.8 Amp
Charger type	constant current constant voltage
LED Parameter	1 Watt 3030

BODY

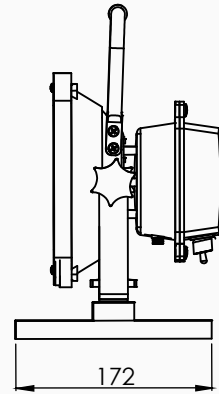
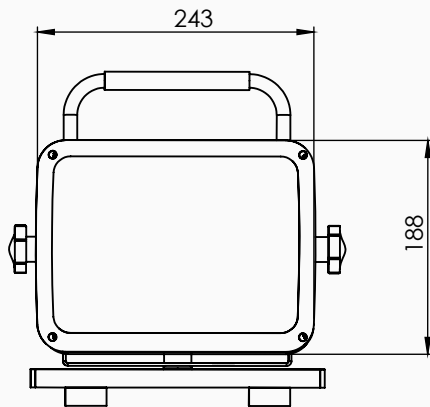
Main Body	Aluminum pressure die cast
Mounting	Aluminum
Handle	Smooth bend pipe with end flattened
Coating	Epoxy powder coated

Manufactured by : Steam Airetric Controls

Made in 

Steam Airetric Controls

Plot. No. A/34, Additional Ambarnath MIDC, Anand Nagar, Ambarnath (E), Dist. Thane Maharashtra, India – 421 506.



- All Dimensions are in mm
- Dimension for reference purpose.
- Dimension may change without notice, development is continuous process

Manufactured by : Steam Airetric Controls

Made in 

Steam Airetric Controls

Plot. No. A/34, Additional Ambernath MIDC, Anand Nagar, Ambernath (E), Dist. Thane
Maharashtra, India – 421 506.

MIMIC[®]