

MIMIC LED Semaphore Indicator is used in situations which require visual simulation of the circuit or operating state of a device. Also used for indication of the fault position or ON - OFF positions.

Semaphore Indicator is particularly suitable for monitoring power breakers & disconnectors in complex transformers substations that are represented in form of mimic diagrams of relatively small dimensions.

Applications : Automatic Status Indication of Circuit Breakers, Isolators & Earth Switches. Also for MIMIC Diagrams of control panels.

- Cutout Size : 30.5 mm
- LED Expected life : 50,000 Hrs.
- Red Vertical & Green Horizontal LED Glow
- IP - 52 weather protection.
- Confirming to IEC 60974-5-1 & IEC 60947-1



TECHNICAL

Input Voltage (DC).	24 / 30 / 48 / 100 / 110 / 125 / 200 / 220 / 250 VDC
Cutout Size	30.5 mm
Operating Temp.	-20deg. to 60 deg. C
Storage Temp.	-30deg. to 75 deg. C
Protection Rating	IP 52
Relative Humidity	45 - 85%
Altitude	Max 2000 m.
Weight	62 gms
Mounting plate thickness	1 - 6 mm

PERFORMANCE

Rated Insulation Voltage (AC , DC)	250V
Voltage Fluctuation range	+15%
Voltage Rating	20VDC to 32VDC
Rated Operational Current	11 mA
Insulation Resistance (M ohm)	1000
Durability	over 10000 cycles
Shock resistance	490 m / sq. sec
Compatible Copper Conductor	AWG 20 - 14
Impulse Withstand Voltage	+4500V 3 Times for each pole

BODY

Main Body	PBT-Fire Retardent
Lens	Polycarbonate

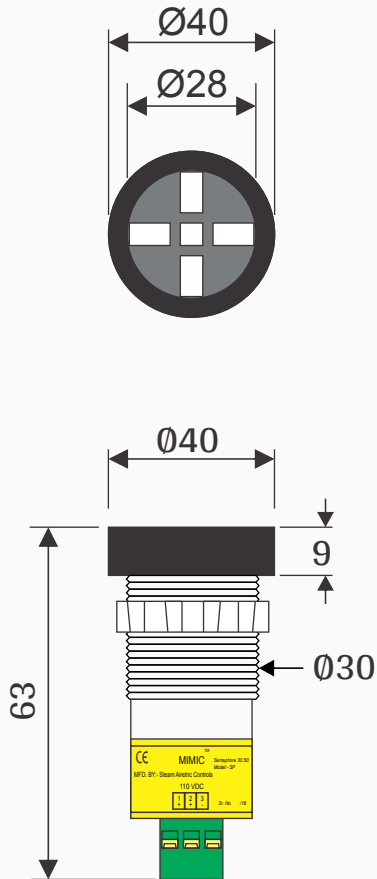
Manufactured by : Steam Airetric Controls

Made in

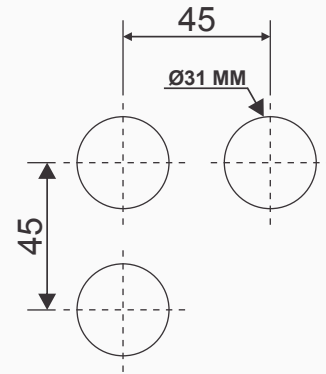
Steam Airetric Controls

Plot No. A/34, Additional Ambernath MIDC, Anand Nagar, Ambernath (E), Dist. Thane Maharashtra, India – 421 506.

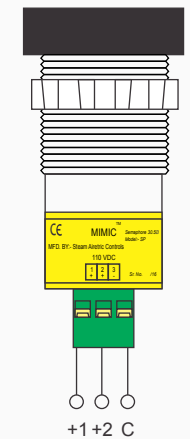
Piece Dimensions



Panel Cutout Dimension



Electrical Connection Diagram



+1 : Red Vertical
 +2 : Green Horizontal
 C : Common

- All Dimensions are in mm
- Dimension for reference purpose.
- Dimension may change without notice, development is continuous process

Manufactured by : Steam Airetric Controls

Made in

Steam Airetric Controls

Plot. No. A/34, Additional Ambernath MIDC, Anand Nagar, Ambernath (E), Dist. Thane Maharashtra, India – 421 506.

