

MIMIC LED Hand Lamp is useful in emergency situations, maintenance & production purpose.

Highly reliable product designed and manufactured in-house for more strict quality control which is expected to work minimum 10 years.

The strong and light weight Aluminum extruded body & translucent glowing part makes the MIMIC Hand Lamp a suitable fit for a variety of conditions.

- Wattage : 28W / 36W
- LED Expected life : 50,000 Hrs.
- Operating Voltage : 24 / 48 / 110 VDC.
- Unbreakable translucent plastic dome.
- Aluminum extruded Light weighted body.
- IP - 65 weather protection.
- ON - OFF switch provided.
- Input reverse voltage protection provided.



TECHNICAL

Voltage Nominal	24 / 48 / 110 VDC
Operating Temp.	-40deg. to 80 deg. C
Storage Temp.	-40deg. to 100 deg. C
Protection Rating	IP 65
Wattage	28W, 36W
Lumens	2800, 3600
Connection	1.5mm. sq x 2 nos.
Connecting Terminal	Provided inside lamp
Control	ON /OFF switch provided
Weight	450 gms

PERFORMANCE

Rated Insulation Voltage (AC , DC)	250V
Voltage Fluctuation range	+15%
Voltage Rating	20VDC to 32VDC
Rated Operational Current	583 mA
Insulation Resistance (M ohm)	1000
Durability	over 5000 cycles
Shock resistance	490 m / sq. sec
Compatible Copper Conductor	AWG 20 - 14
Impulse Withstand Voltage	+4500V 3 Times for each pole

BODY

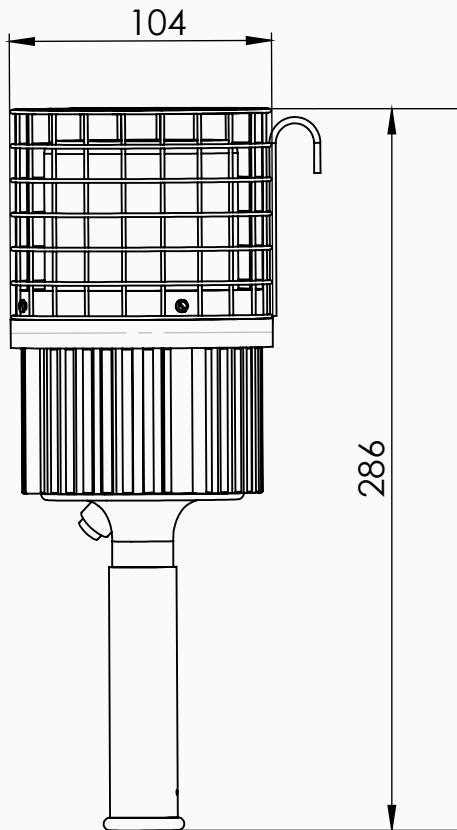
Main Body	Aluminum extruded powder coated
Dome	Polycarbonate diffused
Handle	ABS with soft grip handle
Lower Body	ABS

Manufactured by : Steam Airetric Controls

Made in

Steam Airetric Controls

Plot. No. A/34, Additional Ambarnath MIDC, Anand Nagar, Ambarnath (E), Dist. Thane Maharashtra, India – 421 506.



- All Dimensions are in mm
- Dimension for reference purpose.
- Dimension may change without notice, development is continuous process


Manufactured by : Steam Airetric Controls

Made in 

Steam Airetric Controls

Plot. No. A/34, Additional Ambarnath MIDC, Anand Nagar, Ambarnath (E), Dist. Thane
Maharashtra, India – 421 506.

MIMIC[®]

 9821252022

 sales@mimicproducts.in

 www.mimicproducts.in